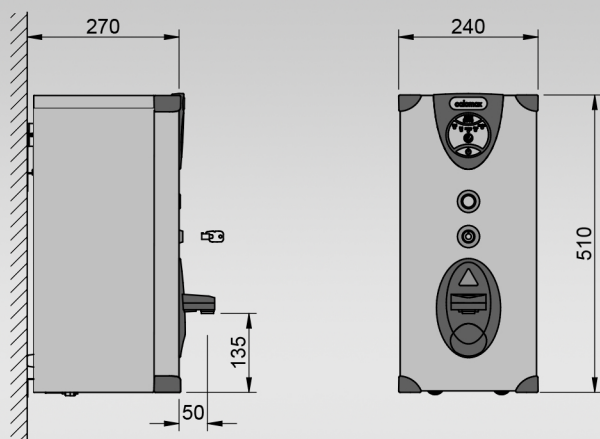


ECLIPSE PB3W5



Key Features:

- Key operated, lock / unlock status
- Push button dispense operation
- Temperature controlled to 90°C
- Concealed tap for additional safety
- UK designed and made
- 5L rapid draw off
- Easy install and service features - removable front panel
- Energy-saving "eco" button which reduces the volume of boiling water by 50% at "off peak" times of demand
- Clear and unambiguous self-diagnostic display panel
- Integral scale-inhibitor technology
- Extended 2-year warranty
- No steam emissions
- Discrete on/off switch incorporated into moulding
- Competitively priced
- Cool-to-touch stainless steel outer casing
- Push-fit and compression adapter included to simplify installation



SIZE

REF

CASING

RATING

CAPACITY
(including initial draw-off)

DIMENSIONS
(W x D x H)

5 LITRE

PB3W5

STAINLESS
STEEL

3kW

25 LITRES
PER HOUR

240 x 270 x 510